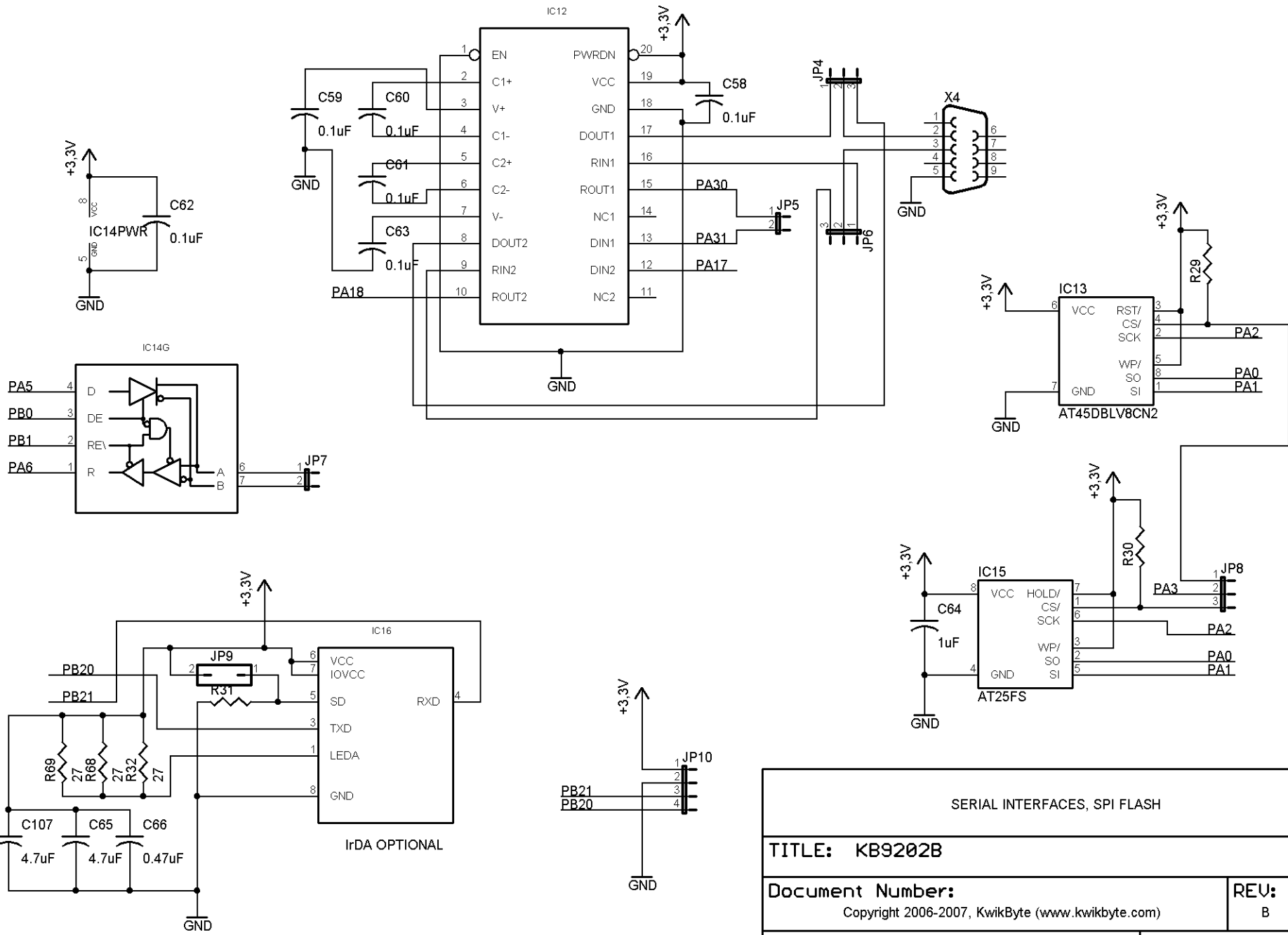
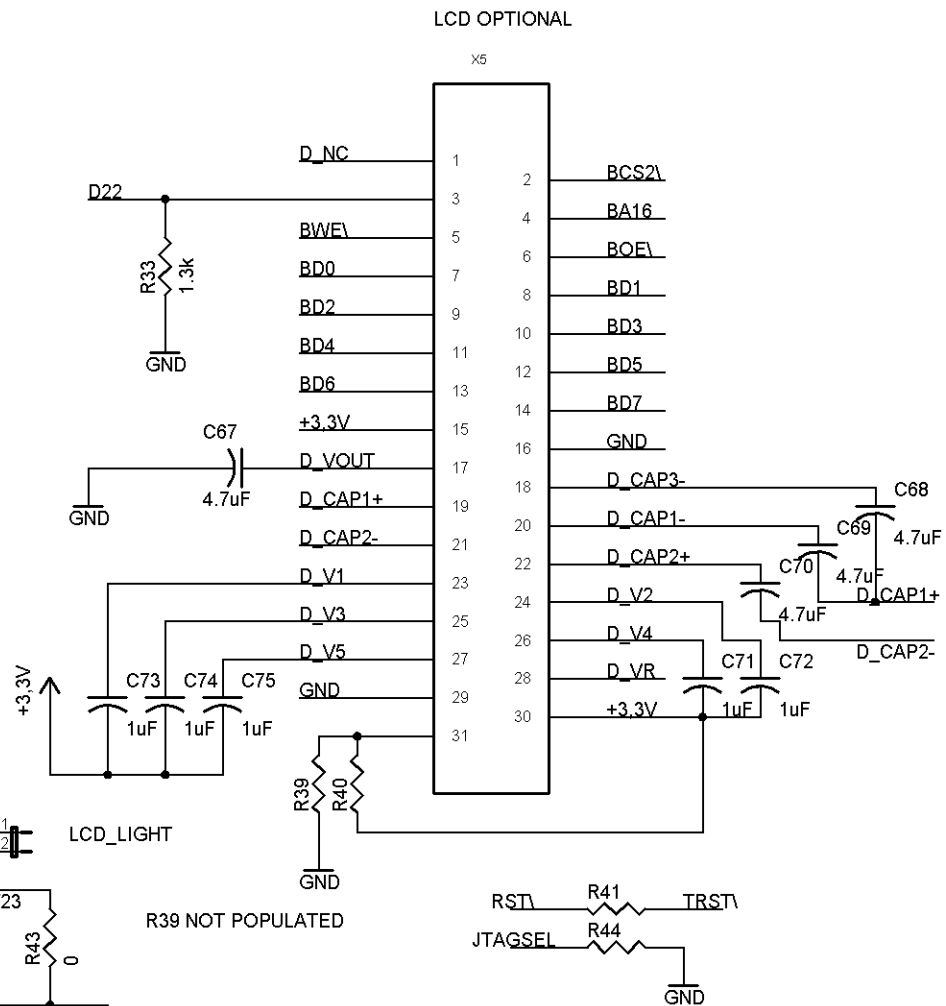
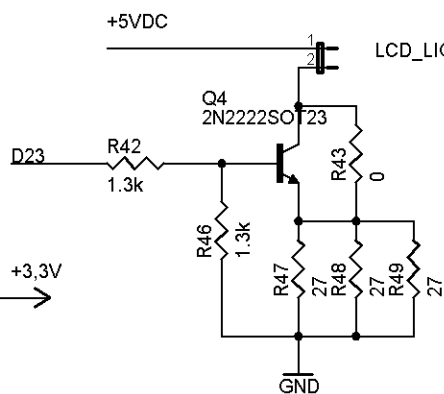
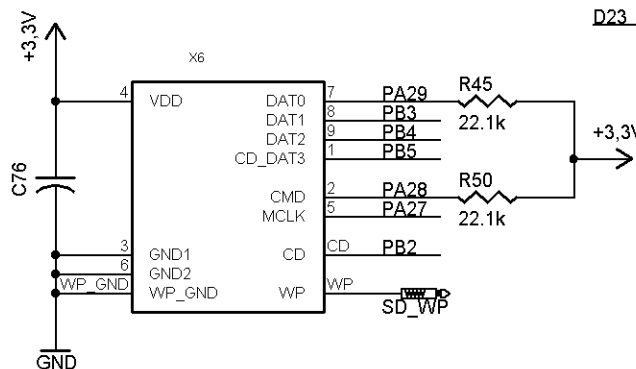
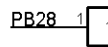
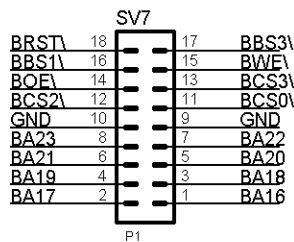
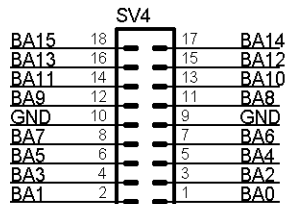
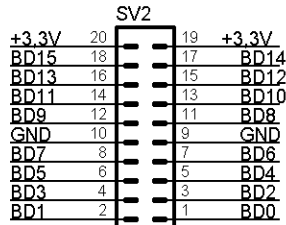
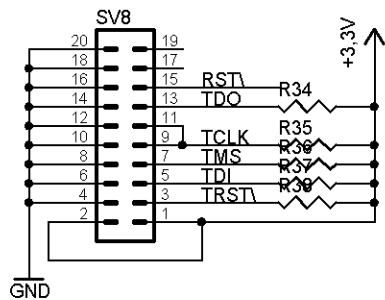
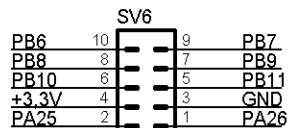
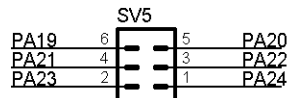
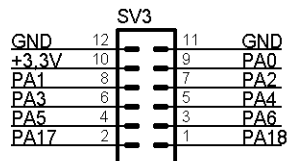
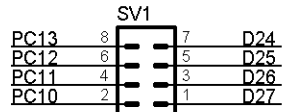


PARALLEL FLASH, BUFFERS, EEPROM	
TITLE: KB9202B	
Document Number: Copyright 2006-2007, KwikByte (www.kwikbyte.com)	
Date: 6/27/2007 10:05:13a	REV: B
Sheet: 2/6	



SERIAL INTERFACES, SPI FLASH	
TITLE: KB9202B	
Document Number:	REV:
Copyright 2006-2007, KwikByte (www.kwikbyte.com)	
Date: 6/27/2007 10:05:13a	
Sheet: 3/6	



OFF-CARD CONNECTORS, SD CARD CONNECTOR, LCD CONNECTOR

TITLE: KB9202B

Document Number:

Copyright 2006-2007, KwikByte (www.kwikbyte.com)

REV:

B

Date: 6/27/2007 10:05:13a

Sheet: 4/6

